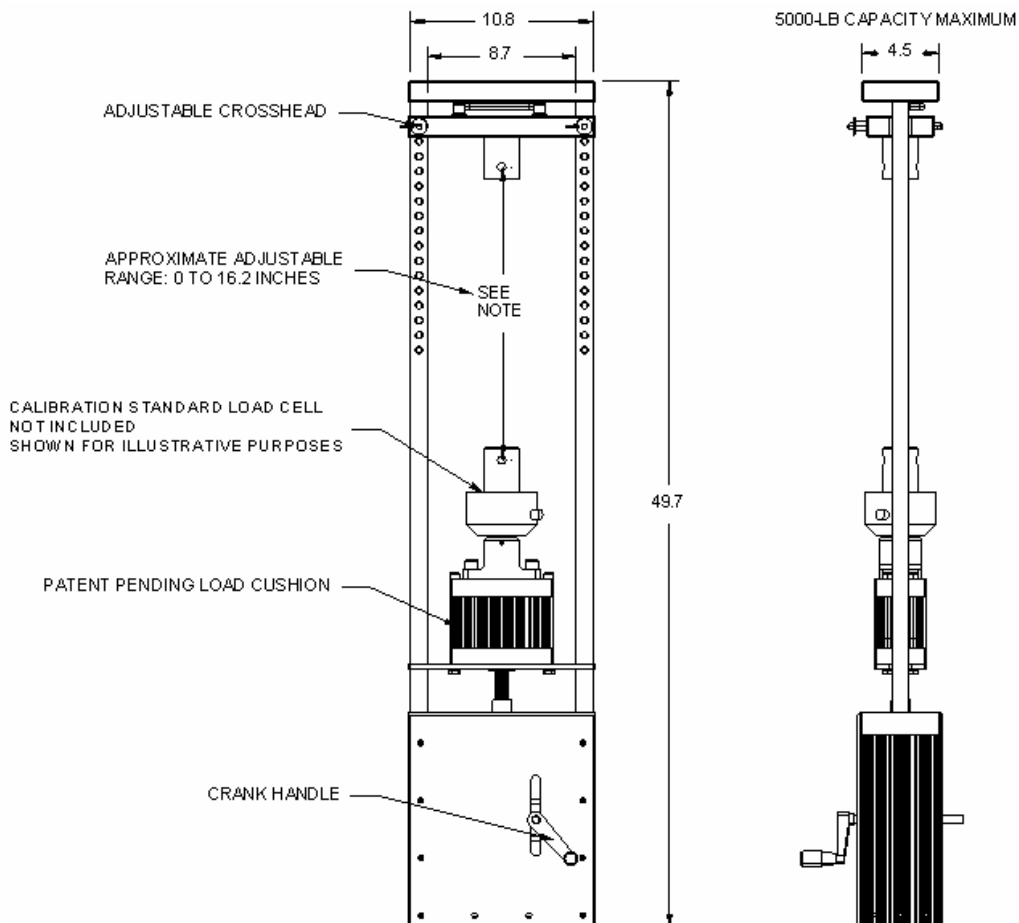


The **PMLD-5000 XLT** is used to mechanically apply forces when calibrating force gages and load cells. The device was designed to be portable without the need for air, hydraulics, or electricity. Ideal for ASTM E4, ASTM E74, and ISO 376 and ISO 7500-1 calibrations.

It's simple to operate and is guaranteed to save time!

Key features include:

- ✓ Simple and fast set-up
- ✓ Accurate, repeatable, stable forces
- ✓ Portable and light weight
- ✓ NO tools required for installation or adjustment
- ✓ **5,000-lbf (22.2 kN) of loading capacity** in tension and compressions
- ✓ Easily adapts to a variety of load cells and force gages



ORDER TODAY!

www.engineeringhelper.com
616.610.9677